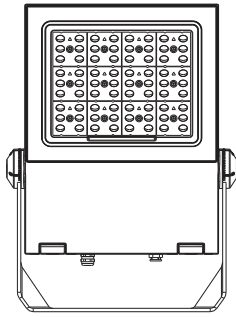
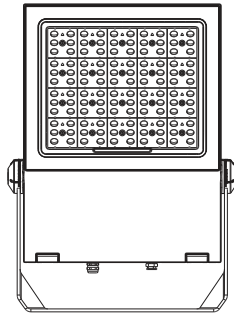


LED Flood Light

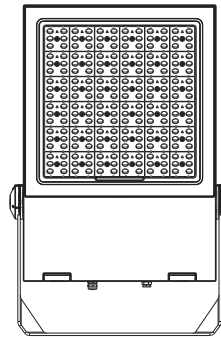
Installation Instructions



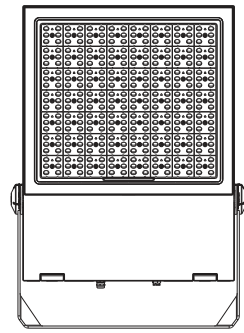
100W-150W



200W-300W



300W-400W

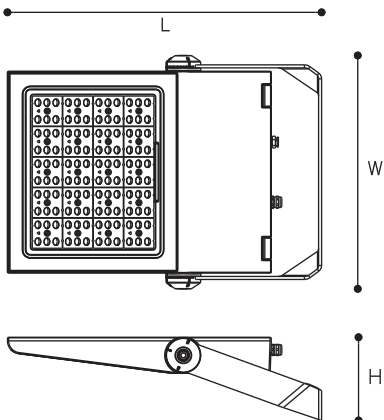


500W-680W

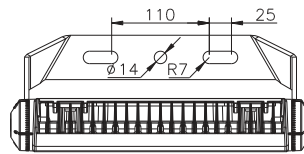


LED FLOOD LIGHT

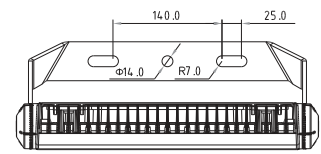
Dimension drawing(Unit:mm)



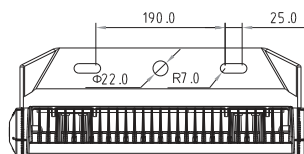
100W-150W



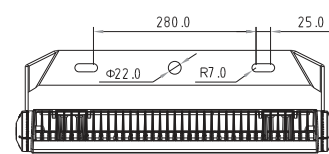
200W-300W



300W-400W



500W-680W



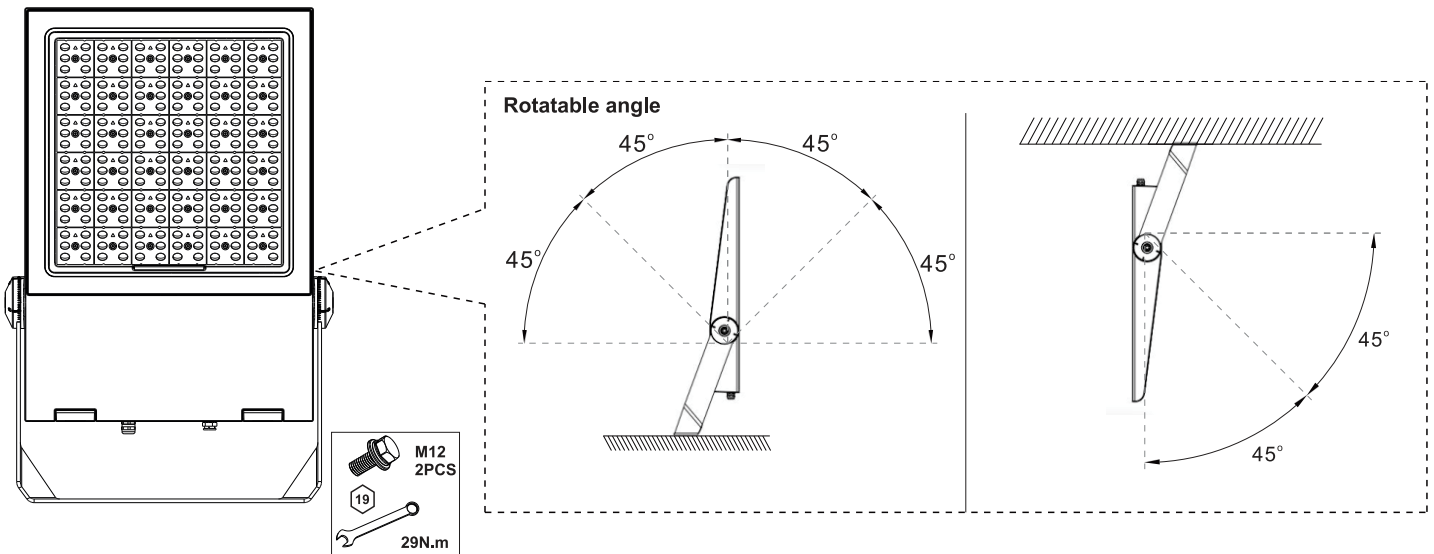
Power Range	100W-150W	200W-300W	300W-400W	500W-680W
L	452mm	523mm	670mm	750mm
W	338mm	388mm	444mm	546mm
H	131mm	139mm	166mm	177mm

Product Data Sheet

Power	100W-150W	200W-300W	300W-400W	500W-680W
Input Voltage	100-277VAC/ 180-277VAC/ 100-240VAC/220-240VAC(Subject to the input voltage on product label information)			
Power Frequency	50/60Hz			
Dimension	452*338*131mm	523*388*139mm	670*444*166mm	750*546*177mm
Net Weight	5.2KG	6.6KG	12.2KG	17.8KG
IP & IK Grade	IP66 & IK09			
Working temperature	-40~50°C			
Storing Temperature	-40~70°C			

LED Flood Light

Bracket Installation Instructions



AC cords

L	brown		black
N	blue		white
⊕	yellow/green		green

DIM cords

Note: color for dim cords subject to the cable label on luminaire



Warning! do not wire dim cord to high voltage, or dim function will fail.

Reminder

We appreciate your purchase! Please read the entire instruction manual before installation and keep it for future reference.

1. Please do not modify or dismantle the luminaire or replace accessories without confirming with the supplier first
2. Please authorize only qualified personnel to install the luminaire and ensure they follow the instruction manual. Any improper installation might cause falling, electric shock, fire, or other injury, damage or hazard.
3. Please disconnect power before installation or any maintenance of the luminaire, Do not touch the power supply when the lamp is operating.
4. If the luminaire begins to smoke or emit odors, please disconnect power since fire or electric shock may occur. And ask qualified person to inspect and maintain the luminaire.
5. If the external flexible cable or cord of this luminaire is damaged, it shall be exclusively replaced by the manufacturer or his service agent or a similar qualified person in order to avoid a hazard.
6. The light source contained in this luminaire shall only be replaced by the manufacturer or his service agent or a similar qualified person.
7. We suggest you adding a separate surge protection device in distribution box to extend luminaire lifespan.

Applications

1. The product is designed for tennis court, recreational sports, parking lots, billboard lighting, building facades and similar applications. For other special applications, please consult your salesperson to confirm firstly.
2. The suggested mounting height of the luminaire is 3-25m.