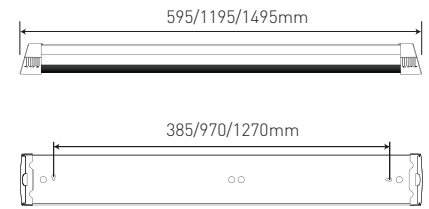
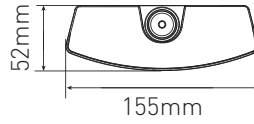


# LED Industrial Line Luminaire Manual

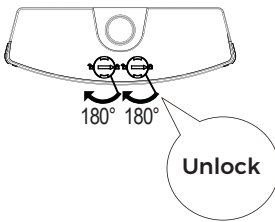
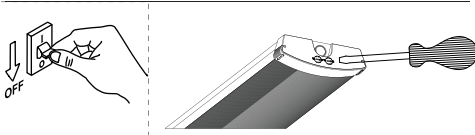


**IP44 IK07**

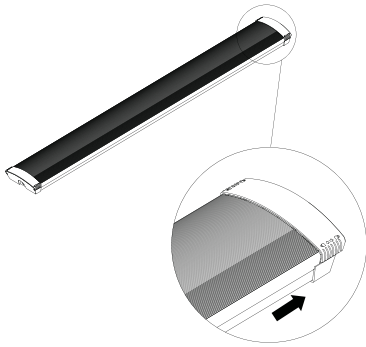


## General Safety Information

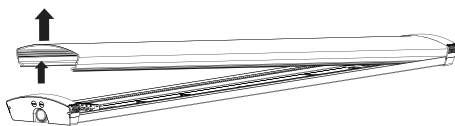
- Installation, commissioning and maintenance only by qualified electrician.
- Never perform any work on the luminaire with voltage applied. Danger to life due to electric shock!
- Electric connection must be appropriate according to all applicable standards and other national and international safety and accident prevention regulations.
- Damaged luminaires must not be operated.
- Observe and retain safety instructions and mounting instructions
- No liability is accepted for damages resulting from improper use.
- Use genuine parts only for repair.



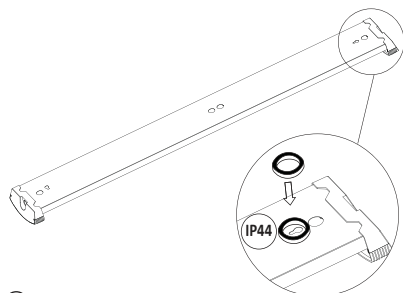
①



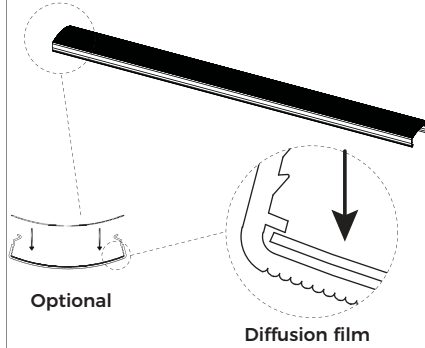
②



③

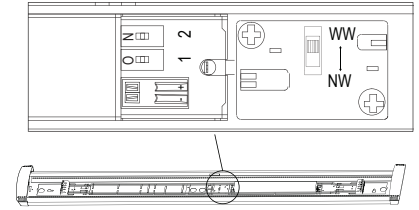


④

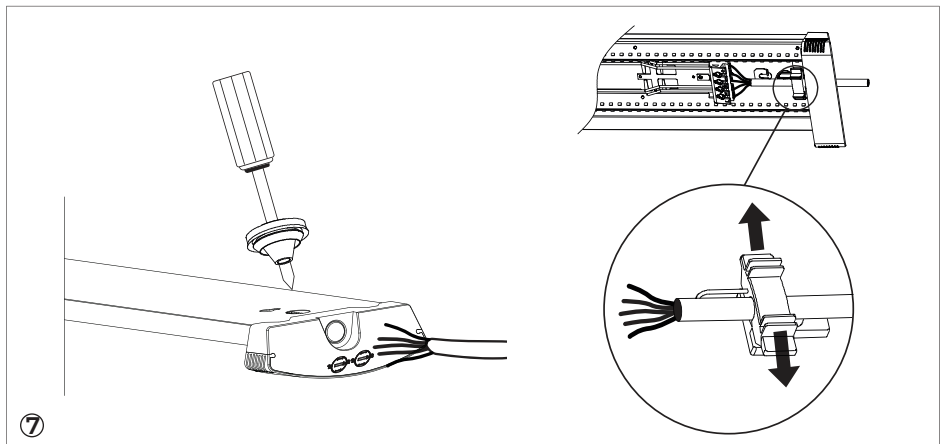


⑤

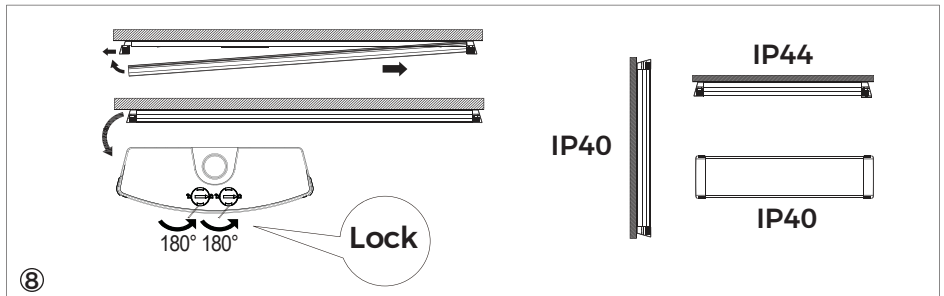
CCT&Power adjustable



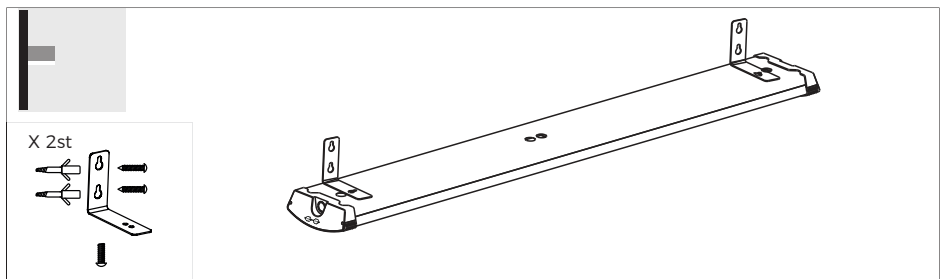
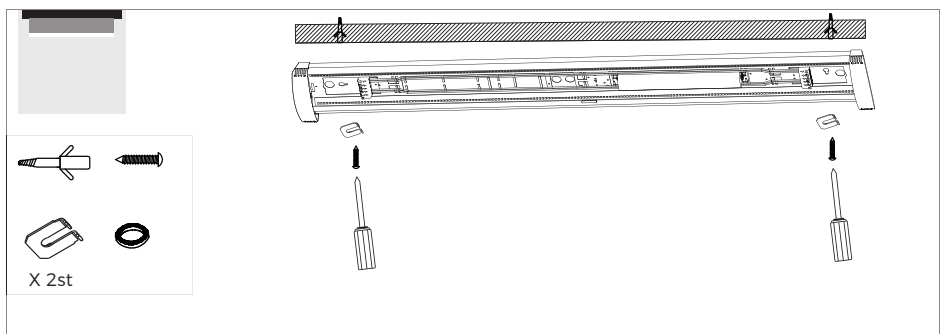
⑥

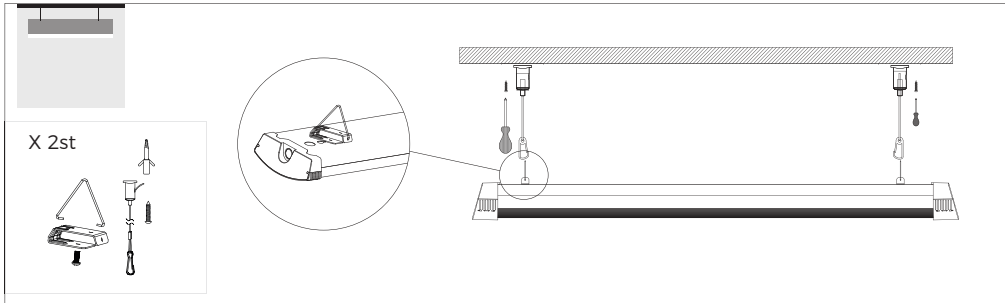
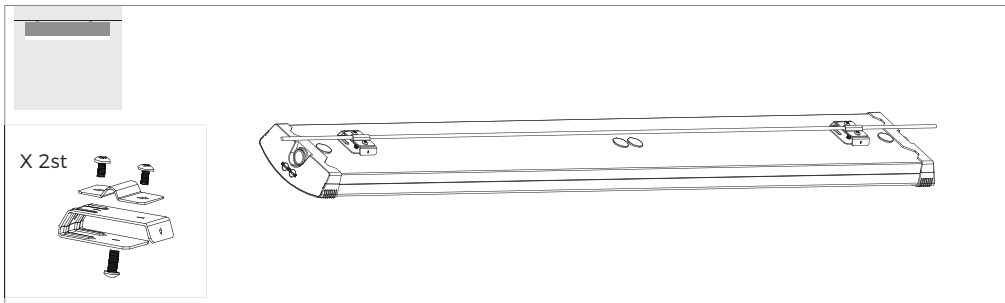


⑦



⑧





mm  
mm<sup>2</sup>  
1-2.5 12

**Dimmable**

Dim+  
Dim-  
E  
N  
L

**DALI**

DA  
DA  
E  
N  
L

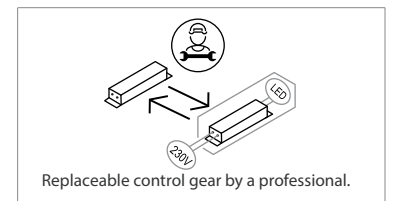
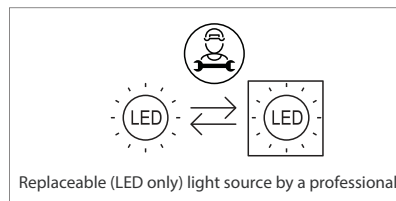
**3 wires**

L  
E  
N

**5 wires**

L2  
L1  
E  
N  
L3

CCT	EET
4000/5000K	B
3000/6500K	C



This product contains a light source of energy efficiency class <B>. (4000K/5000K)  
 This product contains a light source of energy efficiency class <C>. (3000K/6500K)



### Replacement steps :

- A: Loosen the end cap and remove the diffuser;
- B: Screw out the fixing screws on PCB board and LED driver;
- C: Replace the LED module and driver with new one;
- D: Put back the diffuser and lock the end cap.

